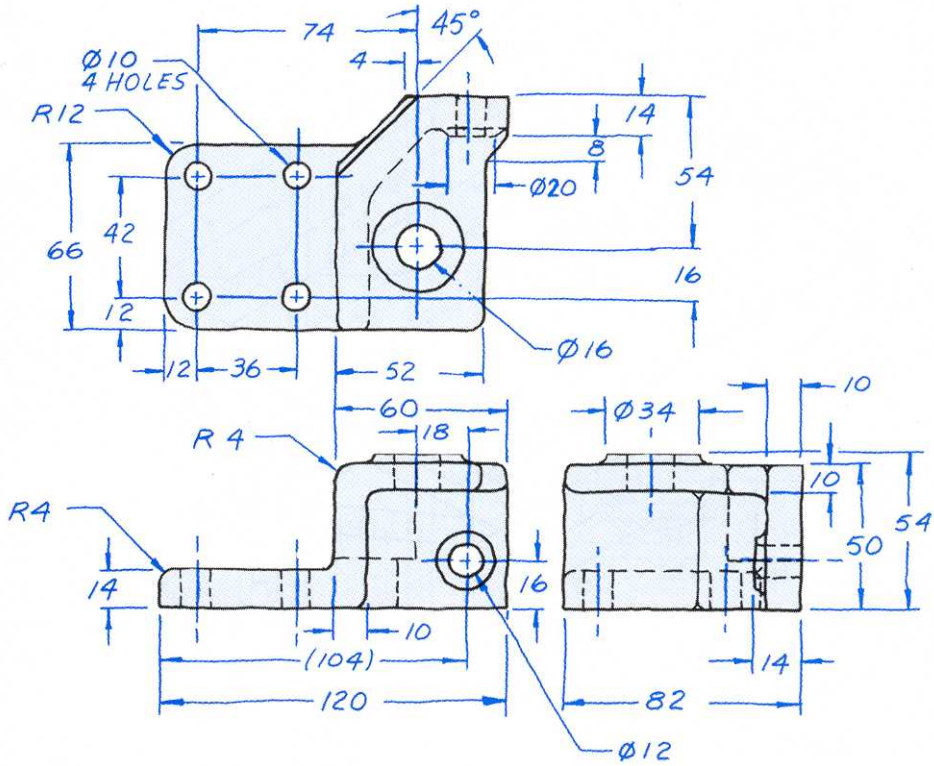


Problem 23.12 Draw and detail the part.



Problem 23.13 Draw and detail the master connecting rod.

